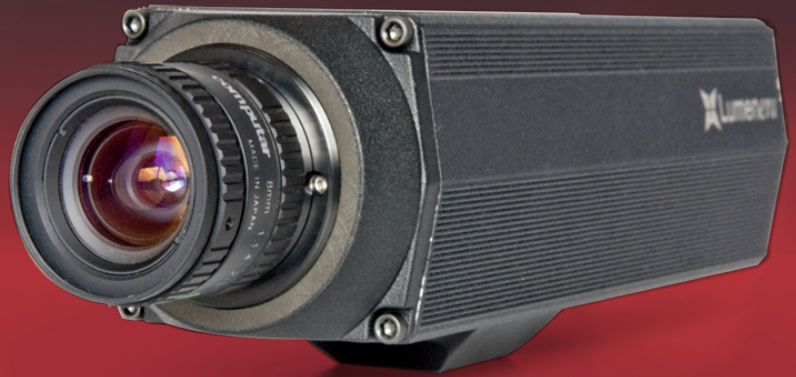


Li045

Intelligent network camera
ultra-wide dynamic range



Live look — high frame rate

The Li045 camera is the workhorse for general purpose surveillance. It provides images of consistent quality and full 30 fps frame rate in both indoor and outdoor conditions.

See clearly in both sun and shadow

Delivers outstanding indoor/outdoor image quality even in changing conditions of lighting and weather. The Pixim wide dynamic range image sensor technology used in the Li045 series cameras provides superb image clarity even where there is a strong contrast between sun and shadow. No special settings are required to deal with backlight conditions. For night vision, select our Li045CB-DN day/night cameras, featuring a filter mechanism designed for deployment with active infrared illuminators.

Control bandwidth and storage

The camera provides for both JPEG and H.264. Choose JPEG to provide the best quality images for digital zoom, post-incident analysis, and fast motion. Use H.264 to reduce bandwidth for your wireless deployments and to reduce disk storage requirements.

Compatibility

By maintaining a common Application Programming Interface (API), Lumenera network cameras are supported by your preferred off-the-shelf video management software and custom applications.

Easy to use

- Fully Windows compatible web pages allow you to view or configure cameras at any time and from any location.
- PoE / 24 V DC - Power over Ethernet (PoE) simplifies installation and reduces cabling costs. You may also choose 24 V DC low-voltage installation.
- No-hassle lens mount – Compatible with C or CS-mount lenses.
- Composite video output – NTSC/PAL format analog video loop out lets a lone installer position the camera and focus the lens using daylight readable displays.

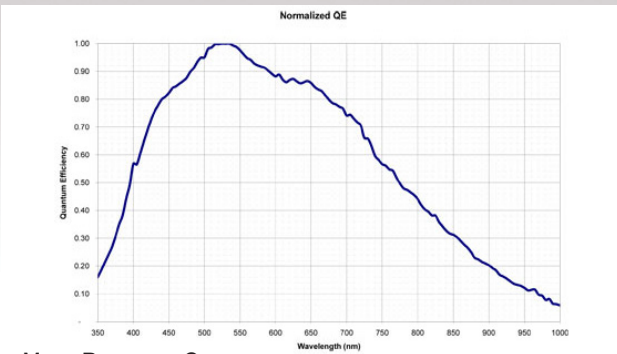
Recommended Applications

- Indoor/outdoor surveillance
- Wide overview of busy areas
- Monitoring of entrances and exits
- Backlit areas in airport terminals, train and bus stations, banks, shops, etc.
- Monitoring city centers
- Higher education, campus security
- Public transportation monitoring
- Protection of major public and corporate infrastructure
 - o Military and homeland security
 - o Prisons
 - o Refineries
 - o Power plants, hydroelectric dams
- Deployments using wireless networks

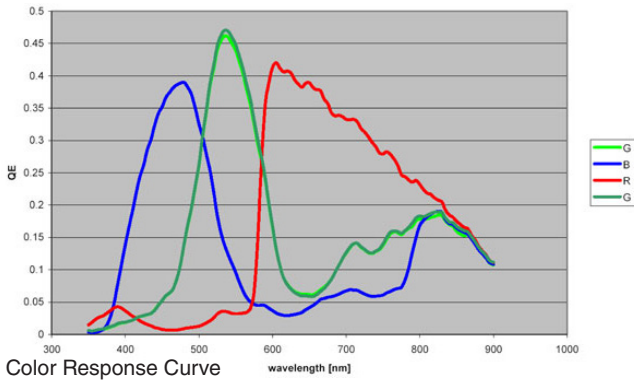
Product Features

- Video analytics for timely response and reduced operator fatigue
- Ultra-wide dynamic range CMOS image sensor
- Live look— 30 fps frame rate
- 720 x 480 (480p) progressive scan images
- Easy set-up and installation
- True day/night “DN” option
- Configurable compression
 - o 30 fps JPEG (full size 720 x 480 pixels)
 - o 30 fps H.264 (720 x 480)
- User and Admin passwords
- Compatible with Windows and Linux operating systems
- Consistent Lumenera API

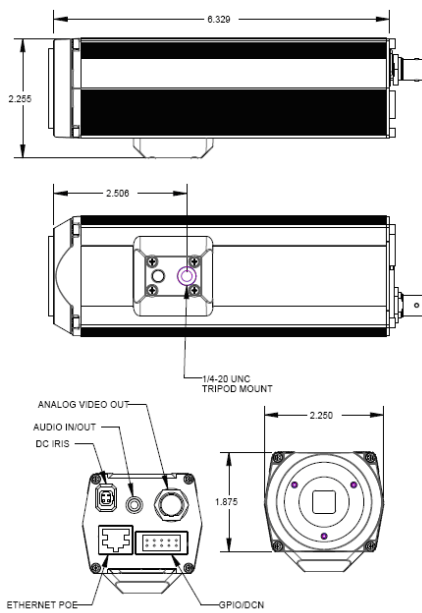




Mono Response Curve



Color Response Curve



Ordering Information

Li045CB	Wide VGA Color network camera
Li045CB-DN	Wide VGA Color day/night network camera
Li045MB	Wide VGA Monochrome network camera
OV1, OV2, OV3	Object/Video OnBoard analytics options
Lu8401	24 VDC, 1A power supply with international plugs
Lu901	C-to-CS mount adapter
Le903	Replacement 10-terminal power & I/O connector
Le906B	Replacement tripod mount

Image Sensor	
Type	1/3" format, CMOS, color or monochrome
Effective pixels	720 x 480 (D1 as 480p)
Active area	5.0 x 3.4 mm
Pixel size	7.0 mm, square
Minimum illumination	0.5 lux at F/1.0
Dynamic Range	102 dB (typical), 120 dB (max)
Shutter type	Global
Scan mode	Progressive Scan (synchronized interlaced lines)
Optics	
Lens mount	CS-mount
Iris control	DC auto-iris (direct drive)
Day-Night	"DN" models only. Automatic
Day wavelengths	400 to 650 nm
Night wavelengths	400 to 1100 nm
Camera control	
Frame rate - JPEG	30 fps (720 x 480 pixels)
Frame rate - H.264	30 fps (720 x 480 pixels)
Exposure modes	Auto
Exposure / shutter speed	< 0.03 to 30 ms (< 1/30,720 to 1/33 sec.)
Anti-flicker	Off, 60 Hz, 50 Hz
Gain modes	Auto, Manual
White balance	Auto, Manual
Passwords	1 admin, 1 user
Image buffer	128 MB (up to 1600 JPEG images)
Analog video output	NTSC or PAL, factory-set
Power	
Power source	External 24 V DC or PoE (IEEE 802.3af)
Power consumption	6 W max
Mechanical	
Dimensions (excludes lens & connectors)	1.9" x 2.25" x 6.3" (48 mm x 57 mm x 160 mm)
Mass	300 g
Case material	Aluminum
Mount	1/4-20 tripod mount
Environmental	
Operating temperature	-10°C to +50°C
Operating humidity	5%-95%, non-condensing
Connectors	
Auto iris	4-conductor DC auto iris
Analog video connector	BNC
Audio connector	Single 3.5 mm stereo jack, 1 input and 1 output.
Power and I/O connector	10 locking terminals, accepts 18 to 28 AWG wire
Inputs	1 opto-isolated
Outputs	1 opto-isolated
Serial port	RS-232 (1 Rx & 1 Tx terminal)
Network interface	10/100 BASE TX Fast Ethernet
Interface connector	RJ45 Cat 5e twisted pair cable
Software & networking	
API	Lumenera network camera Application Programming Interface
Compatible software	Multiple third-party/open-platform VMS providers
Supported protocols	HTTP, TCP/IP, RTP/RTSP, FTP (client only), DHCP, DNS, ARP, Zeroconf (Bonjour), ICMP (ping), NTP
Approvals	
FCC compliance	Class B
CE compliance	EN55024, EN55022, EN61000-3-2, EN61000-3-3
Hazardous materials	RoHS compliant
Power supply	UL, FCC, CE
Recommended PC Specifications	
O/S	Windows 7, Windows Vista, Windows XP
CPU	2.8GHz or above Pentium/Core 2
Browser	Internet Explorer v8.0

