

Le165

1.4 megapixel progressive scan HAD CCD camera



Day/Night

Delivers outstanding megapixel “HD” image clarity even in low-light conditions using a 2/3” EXview HAD CCD image sensor. For night vision, select our day-night Le165CE-DN cameras, featuring a filter mechanism designed for deployment with active infrared illuminators. Also features DC iris support.

Moving vehicles

Provides superior capabilities for stop-motion image capture. Even at highway speeds, crisp images are delivered by the high sensitivity CCD sensor with global electronic shutter.

Control bandwidth and storage

The camera provides JPEG compressed image or live MJPEG streaming video and H.264 compression. Choose JPEG or MJPEG to provide the best quality images or streaming video for digital zoom, post-incident analysis and fast motion. Use H.264 to reduce bandwidth for your wireless deployments and to reduce disk storage requirements.

Compatibility

By maintaining a standard Application Programming Interface (API), Lumenera network cameras are supported by your preferred off-the-shelf video management software and custom applications.

Easy to use

- Fully Windows compatible web pages allow you to view or configure cameras at any time and from any location.
- PoE / DC Power - Power over Ethernet simplifies installation and reduces cabling costs, or choose low-voltage (12 V DC) installation.
- No-hassle lens mount – Compatible with C or CS-mount lenses.
- Composite video output – NTSC/PAL format analog video loop out allows a single installer to position the camera and focus the lens using daylight readable displays.

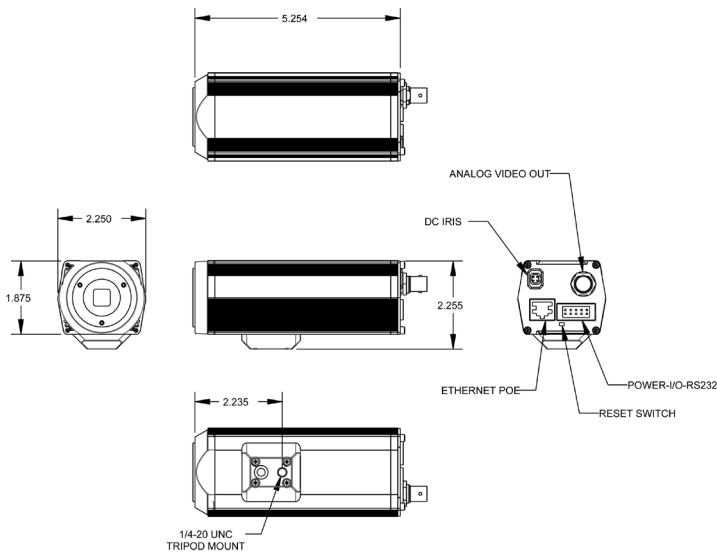
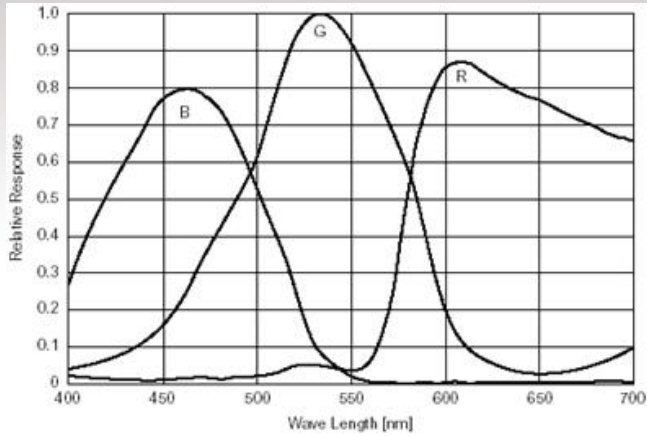
Features

- 1.4 megapixel progressive scan EXview HAD CCD
- Light sensitivity superior to most analog cameras
- Clear, sharp images with low noise
- True day/night “DN” option
- Configurable compression
 - o 15 fps JPEG (full size 1376 x 1032 pixels)
 - o 20 fps H.264 (1280 x 720)
- Easy installation and setup
- User and Admin passwords
- Compatible with Windows and Linux operating systems
- Consistent Lumenera API

Recommended Applications

- Night & perimeter surveillance
 - o Military bases and national security sites
 - o Airports
 - o Sea ports
 - o Borders and border crossings
 - o Prisons
 - o Refineries
 - o Power plants, hydroelectric dams
- Stop-motion image capture:
 - o License plate recognition (ALPR)
 - o Toll roads
 - o Parking
 - o Law enforcement
- Optical character recognition
 - o Container shipping
 - o Railway freight





Recommended PC Specifications:

O/S: Windows 7, Windows Vista, Windows XP
 CPU: 2.8GHz or above Pentium/Core 2
 Browser: Internet Explorer v8.0

Ordering Information	
Le165CE	1.4 megapixel PoE or DC power color network camera
Le165ME	1.4 megapixel PoE or DC power monochrome network camera
Le165CE-DN	1.4 megapixel PoE or DC power color day/night network camera
Le165ME-DN	1.4 megapixel PoE or DC power monochrome day/night network camera
La21224N	12 V DC, 2 A power supply with international plugs
Lu901	C to CS-mount adapter
Le903	Replacement 10-terminal power & I/O connector
Le906B	Replacement tripod mount

Image Sensor	
Type	2/3" EXview HAD CCD, color or monochrome
Effective pixels	1376 x 1032
Active area	8.9 x 6.7 mm
Pixel size	6.45 μm, square
Minimum illumination	0.01 lux daylight, <0.01 lux active IR at f/1.0
Dynamic Range	66 dB
Shutter type	Global
Scan mode	Progressive Scan
Optics	
Lens mount	CS-mount
Iris control	DC auto iris (direct drive)
Day-Night	"DN" models only. Automatic.
Day wavelengths	400 to 650 nm
Night wavelengths	400 to 1100 nm
Camera control	
Frame rate - JPEG	15 fps (1376 x 1032 pixels)
Frame rate - H.264	20 fps (1280 x 720 pixels)
Exposure modes	Auto
Exposure / shutter speed	< 0.03 to 30 ms (< 1/30,720 to 1/33 sec.)
Anti-flicker	Off, 60 Hz, 50 Hz.
Gain modes	Auto, Manual
White balance	Auto, Manual
Passwords	1 admin, 1 user
Image buffer	128 MB (up to 1600 JPEG images)
Analog video output	NTSC or PAL, factory-set
Power	
Power source	External 12 V DC or PoE (IEEE 802.3af)
Power consumption	6 W max
Mechanical	
Dimensions (excludes lens & connectors)	1.9 x 2.25 x 5.25" (48 x 57 x 134 mm)
Mass	~ 11 oz. (~ 300 g)
Case material	Aluminum
Mount	1/4-20 tripod mount
Environmental	
Operating temperature	-10 to +50 °C
Operating humidity	5 to 95 %, non-condensing
Connectors	
Auto iris	4-conductor DC auto iris
Analog video connector	BNC
Power and I/O connector	10 locking terminals, accepts 18 to 28 AWG wire
Inputs	1 opto-isolated
Outputs	1 opto-isolated, 1 digital
Serial port	RS-232 (1 Rx & 1 Tx terminal)
Network interface	100BASE-TX
Interface connector	RJ45 Cat 5e twisted pair cable
Software & networking	
API	Lumenera network camera Application Programming Interface (API)
Compatible software	Multiple third-party/open-platform VMS providers
Supported protocols	HTTP, TCP/IP, RTP/RTSP, FTP (client only), DHCP, DNS, ARP, Zeroconf (Bonjour), ICMP (ping), NTP
Approvals	
FCC compliance	Class B
CE compliance	EN55024, EN55022, EN61000-3-2, EN61000-3-3
Hazardous materials	RoHS compliant
Power supply	UL, FCC, CE
Quality	Full functional test on every camera
Warranty	1 Year
Compliance	RoHS

