

LUMENERA SUPPORT GUIDE

Universal Power Supplies for All Lumenera Cameras

A guide to the technical highlights, ordering information, and mechanics for Lumenera's camera power supplies



POWER SUPPLY ORDERING INFORMATION

Lumenera Catalogue #	Power Supply Description	MSRP
La050315	5 V DC, 3 A, 15 W	\$30.00
La20606	6 V DC, 2 A, 12 W	\$30.00
La120315	12 V DC, 3 A, 36 W	\$30.00
La22424N	24 V DC, 1 A, 24 W	\$30.00
La21224N	12 V DC, 2 A, 24 W	\$30.00
La20901	9 V DC, 650 mA, 6 W	\$30.00
La2000PK	5 V DC, 3 A, 15 W	\$100.00
La2000PIOK	5 V DC, 3 A, 15 W	\$100.00

POWER SUPPLY BY CAMERA

Power Supply Required— Not Included With Camera

Camera	Power Supply Number
Lu070/Lu075	La20606
Lu130/Lu135 (with orange LED only)	La20606
Lu160/Lu165	La20606

Power Supply NOT Required—USB Bus Power Sufficient

Camera	Power Supply Number (Optional)
INFINITY 1-2C, INFINITY 1-3	La20606
INFINITY 1-2CB, INFINITY 1-5	La050315
INFINITY 2-1, INFINITY 2-2, INFINITY 2-3	La050315
INFINITY 3-1U	La050315
INFINITY-EP	La050315
INFINITY HD	La050315
Lu100/Lu105	La20606
Lu120/Lu125	La20606
Lu130/Lu135/Lw130/Lw135 (with Green LED only)	La050315
Lw160/Lw165	La050315
Lu170/Lu175	La20606
Lu200/Lu205	La20606
Lw230/Lw235	La050315
Lw290/Lw295	La050315
Lu370/Lu375	La20606
Lw110/Lw115	La050315
Lw570/Lw575	La050315

CONT'D: Power Supply NOT Required—USB Bus Power Sufficient

Camera	Power Supply Number (Optional)
Lw620/Lw625	La050315
Li045	La22424N*
Li165	La22424N*
Li175	La22424N*
Lt225	La050315
Lt425	La050315

* Note: A power supply is not required when using PoE. When using DC power the camera requires power supply number La22424N, La21224N or La050315 depending on the camera model. Please refer to section B for the correct power supply.

Power Supply NOT Required— Included With Camera

Camera	Power Supply Number (Optional)
INFINITY3-1	La050315
INFINITYX-32	La050315
Lu176	La20901
Lw11059/Lw11058/Lw11057	La120315
Lm11059	La120315
Lw16059	La120315
Lt16059H	La120315
Lt29059	La120315
Lt365R	La050315
Lt665R	La050315
Lt965R	La050315
Lt1265R	La050315

Power Supply NOT Required— Cannot Use External Power Supply

Camera	
Lm075, Lm085, Lm135, Lm165	Bus Power Only – no external power option

TECHNICAL HIGHLIGHTS

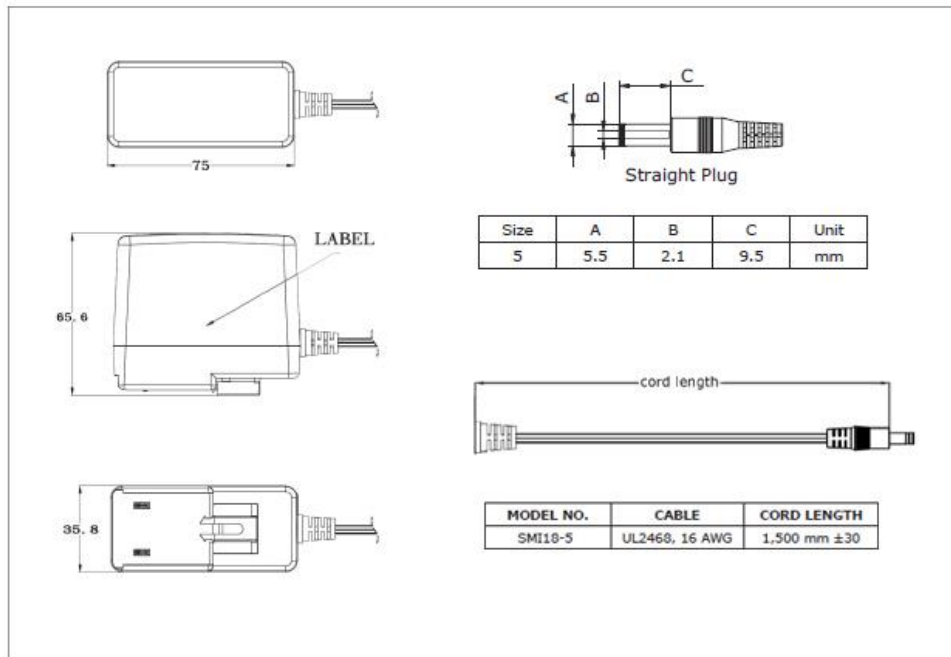
Model	Input	Output
La050315	AC 90 V to 264 V	5 V / 3.0 A
La20606	AC 90 V to 264 V	6 V / 2.0 A
La120315	AC 90 V to 264 V	12 V / 3.0 A
La120315	AC 90 V to 264 V	12 V / 3.0 A
La21224N	AC 90 V to 264 V	12 V / 2.0 A
La22424N	AC 90 V to 264 V	24 V / 1.0 A
La20901	AC 90 V to 264 V	9 V / 650 mA

General Specification

Operating Temp	0 to 40°C
Storage Temp	-20 to 85°C
Operating Relative Humidity	5 to 95% RH non-condensing

MECHANICAL DRAWINGS

La050315 Mechanical Drawing



La120315 Mechanical Drawing

Locking DC Plug

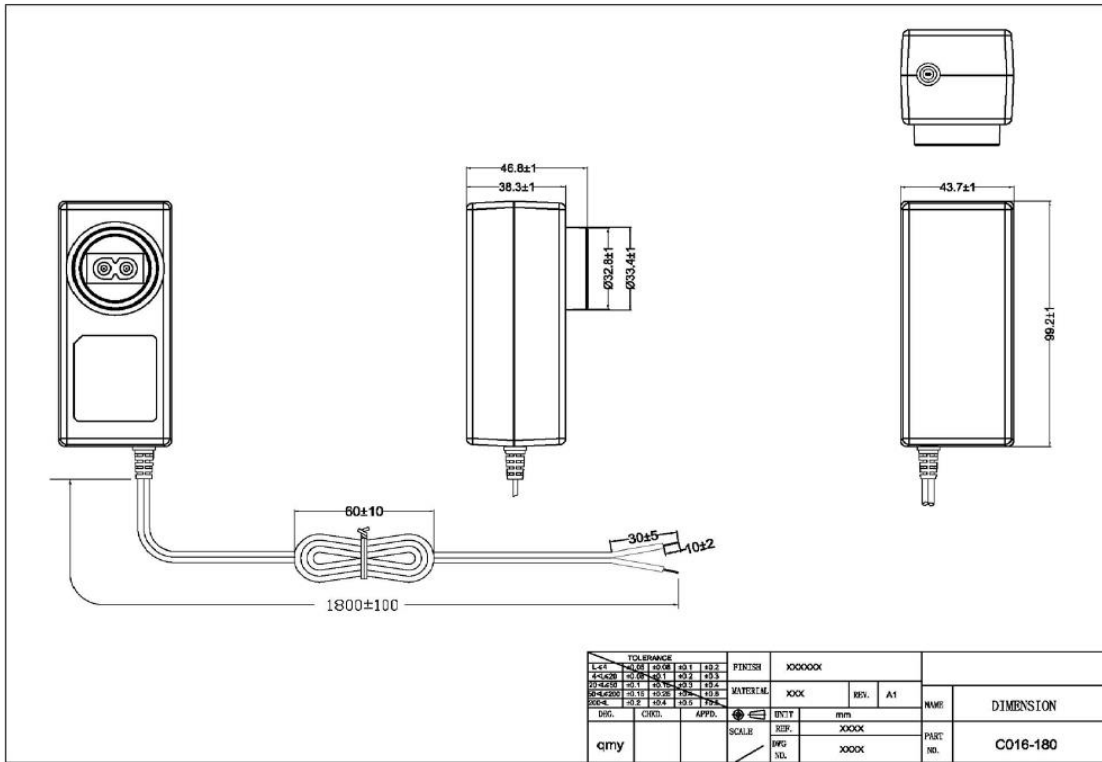
Size	A	B	C	Unit
10	5.5	2.1	9.5	mm

MODEL NO.	CABLE	CORD LENGTH
SMI36-12	UL2468, 16 AWG	1,500 mm \pm 30

La21224N Mechanical Drawing

TOLERANCE					FINISH		XXXXXX				
L-24	25.01	12.08	12.01	12.01							
44.426	12.08	12.01	12.02	12.02							
02.250	12.01	12.02	12.01	12.01							
04.280	12.01	12.02	12.01	12.01							
02.04	12.01	12.02	12.01	12.01							
					MATERIAL		XXX	REV.	A1	NAME	
DRG.	CRD.	APPD.	SCALE		UNIT		mm			DIMENSION	
qty					REF.		XXXX			PART NO.	
					ENG.		XXXX			C016-180	

La21224N Mechanical Drawing



Common Electrical Plugs for all Power Supplies

