

LUMENERA PRODUCT NEWS

Date: July 22, 2011
To: All Lumenera Partners
From: Lumenera Corporation



Re: Universal Power Supplies Product Modification Notice
Product News #11-Corp-02 v2

Lumenera is pleased to announce a new series of wall mount universal switching power supplies. These new power supplies provide a high level of quality and flexibility when used as accessories for the Lu, Lw, Le, Lg and INFINITY camera lines.

Please note:

- Majority of Lumenera cameras do not require external power supplies, instead relying on USB bus power
- A few models do require external power (Refer to Table C1: Power Supply Required – page 2) - the recommended power supply must be ordered when purchasing a camera
- The remaining models listed do not require an external power supply, however, they can be used in conjunction with these universal supplies as an option when USB bus power is not present (Refer to Table C2: Power Supply Not Required – page 3)

A. Highlights:

1) Universal Interchangeable Plug included with each power supply with full 360° rotation

Each of the new Universal Power Supplies currently ships with 4 interchangeable plugs. The plugs will accommodate North American, European, United Kingdom and Asian power standards. The difference now is that these plugs can now be rotated 360° allowing the “brick” to be placed in any direction, without the need to disconnect the plug, making it easier to fit onto a power bar with multiple connections.

2) Safety and Compliance

The new Universal Power Supplies meet the highest safety standards including FCC/CE, UL/CUL, PSE, GS and TUV, as well as RoHS Compliance.

3) Higher Efficiency Level for Greener Products

The new Universal Power Supplies are greener for the environment as they now come with the Energy Star Efficiency Level V rating (past ones were Efficiency Level IV) which means they draw less power when idle and require less power to convert from AC to DC.

B. Ordering Information

New Lumenera Catalogue #	Old Lumenera Catalogue #	Power Supply Description	Lumenera Camera	MSRP
La20515	Lu8101	5 V DC, 2.5 A, 12.5 W	All cameras that have a green LED (typically all Lw, INFINITY1-5, INFINITY2 series and INFINITY3 series, INFINITYX-32 USB cameras)	\$30.00
La20606	Lu8201	6 V DC, 2 A, 12 W	All cameras that have an orange LED (typically all Lu, INFINITY1-3, USB cameras)	\$30.00
La21224	Lu8301	12 V DC, 2 A, 24 W	All large format USB cameras (Lw11059/11058/11057, Lw16059, INFINITY4, first gen Lg11059)	\$30.00
La21224L	N/A	12 V DC, 2 A, 24 W	All GigE network cameras (except first gen Lg11059)	\$30.00
La22424N	Lu8401	24V DC, 1 A, 24 W	Le045, Li045, Li165, Li175CB, Li175MB,	\$30.00
La21224N	Lu8501	12V DC, 2 A, 24 W	All standard network cameras (LeX75) as noted in Table C as well as the Le165	\$30.00
La20901	Lu8601	9 V DC, 650 mA, 6 W	Lu176 only	\$30.00

C. What's included...what to order...what to order as an option?

Table C1: Power Supply Required (Not included with Camera)	
<i>Power supply required and must be ordered separately</i>	<i>Power supply part number to order</i>
Lu070/Lu075	La20606
Lu130/Lu135 (with Orange LED only)	La20606
Lu160/Lu165	La20606

Table C2: Power Supply Not Required	
<i>Camera models where power supply is not required - USB bus power sufficient</i>	<i>Power supply part number (optional)</i>
INFINITY1-2C, INFINITY1-3	La20606
INFINITY1-2CB, INFINITY1-5	La20515
INFINITY2-1, INFINITY2-2, INFINITY2-3	La20515
INFINITY3-1U	La20515
Lu100/Lu105	La20606
Lu120/Lu125	La20606
Lu130/Lu135/Lw130/Lw135 (with Green LED only)	La20515
Lw160/Lw165	La20515
Lu170/Lu175	La20606
Lu200/Lu205	La20606
Lw230/Lu235	La20515
Lw290/Lw295	La20515
Lu370/Lu375	La20606
Lw110/Lw115	La20515
Lw570/Lw575	La20515
Lw620/Lw625	La20515
Le045	La22424N *
Le075	La21224N *
Le165	La21224N *
Le175	La21224N *
Le375	La21224N *
Le575	La21224N *
Li045	La22424N *
Li165	La22424N *
Li175	La22424N *

*** Note: a power supply is not required when using PoE. When using DC power require power supply number La22424N or La21224N depending on the camera model. Please refer to section B for the correct power supply.**

Table C3: Power Supply Included with Camera	
<i>Camera models with power supply included</i>	<i>Power supply part number</i>
INFINITY3-1	La20515
INFINITYX-32	La20515
INFINITY4-11	La21224
Lu176	La20901
Lw11059/Lw11058/Lw11057	La21224
Lw16059	La21224

Table C4: Cameras That Cannot Take External Power Supply	
<i>Camera models where external power supply is not available - USB bus power sufficient</i>	
Lm075, Lm085, Lm135, Lm165	Bus Power Only – no external power option

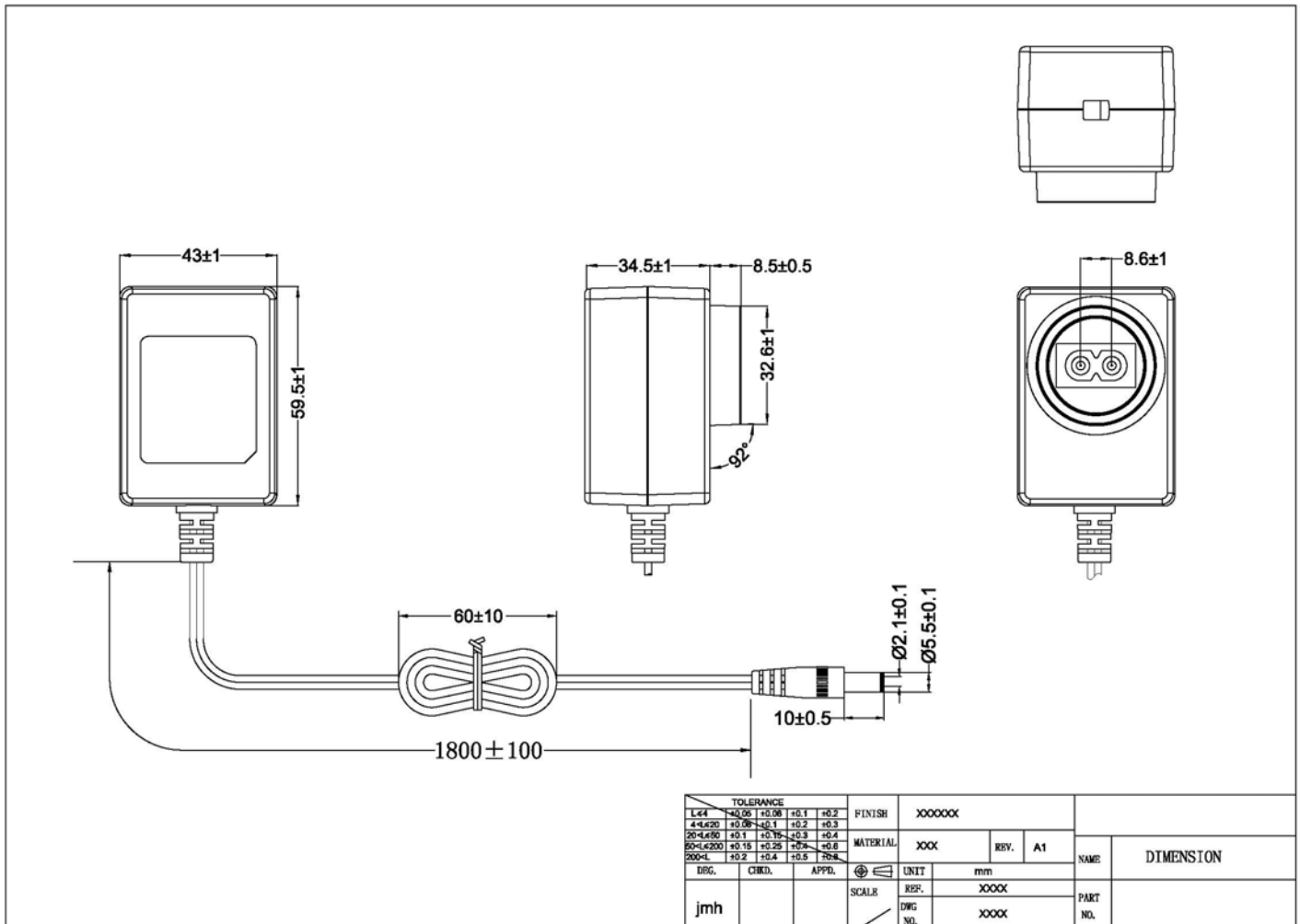
D. Technical Highlights

Model	Input	Output
La20515	AC 90 V to 264 V	5 V / 2.5 A
La20606	AC 90 V to 264 V	6 V / 2.0 A
La21224	AC 90 V to 264 V	12 V / 2.0 A
La21224L	AC 90 V to 264 V	12 V / 2.0 A
La21224N	AC 90 V to 264 V	12 V / 2.0 A
La22424N	AC 90 V to 264 V	24 V / 1.0 A
La20901	AC 90 V to 264 V	9 V / 650 mA

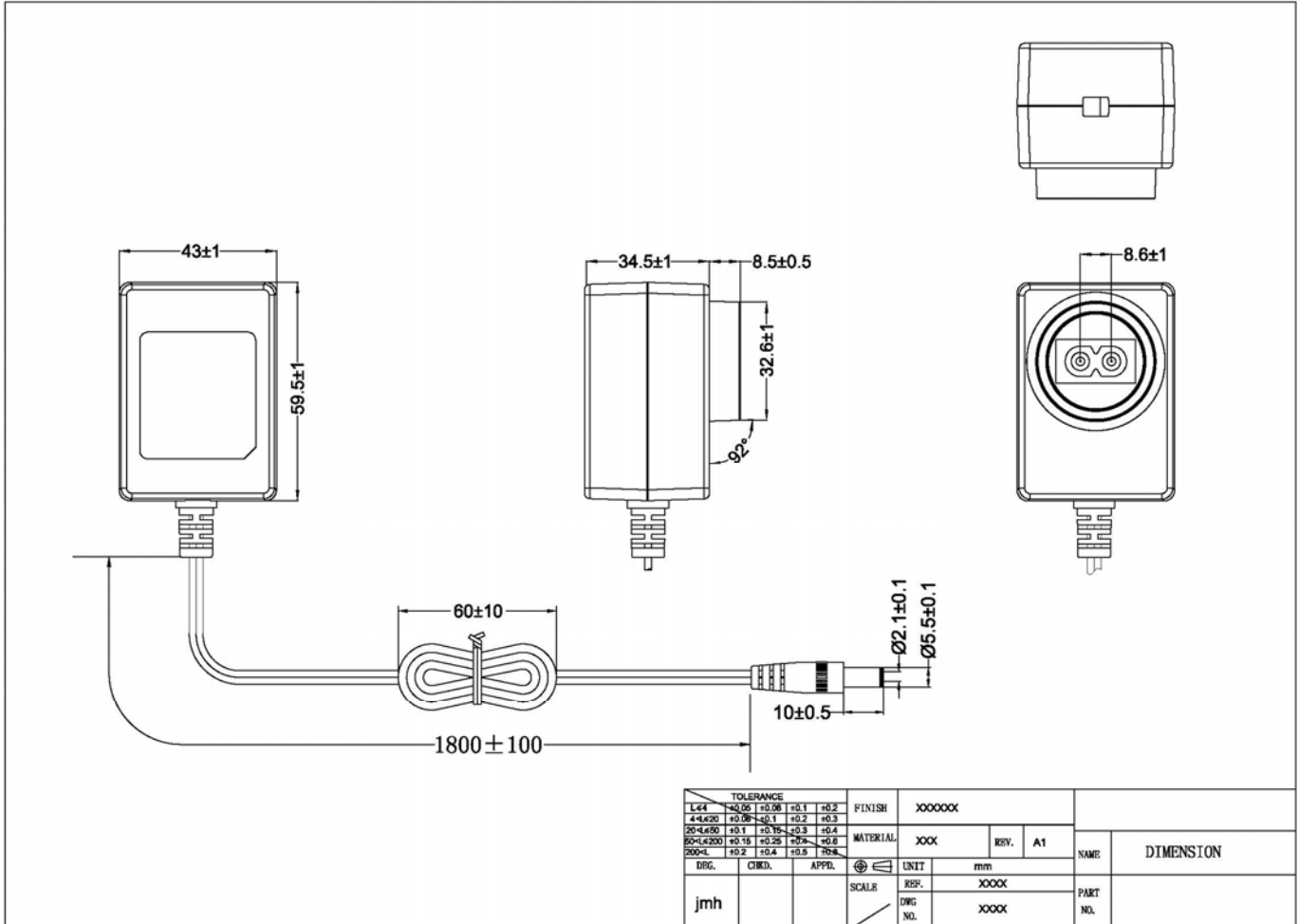
General Specification	
Operating Temp	0 to 40 °C
Storage Temp	-20 to 85 °C
Operating Relative Humidity	5 to 95 % RH non-condensing

E. Mechanical Drawings

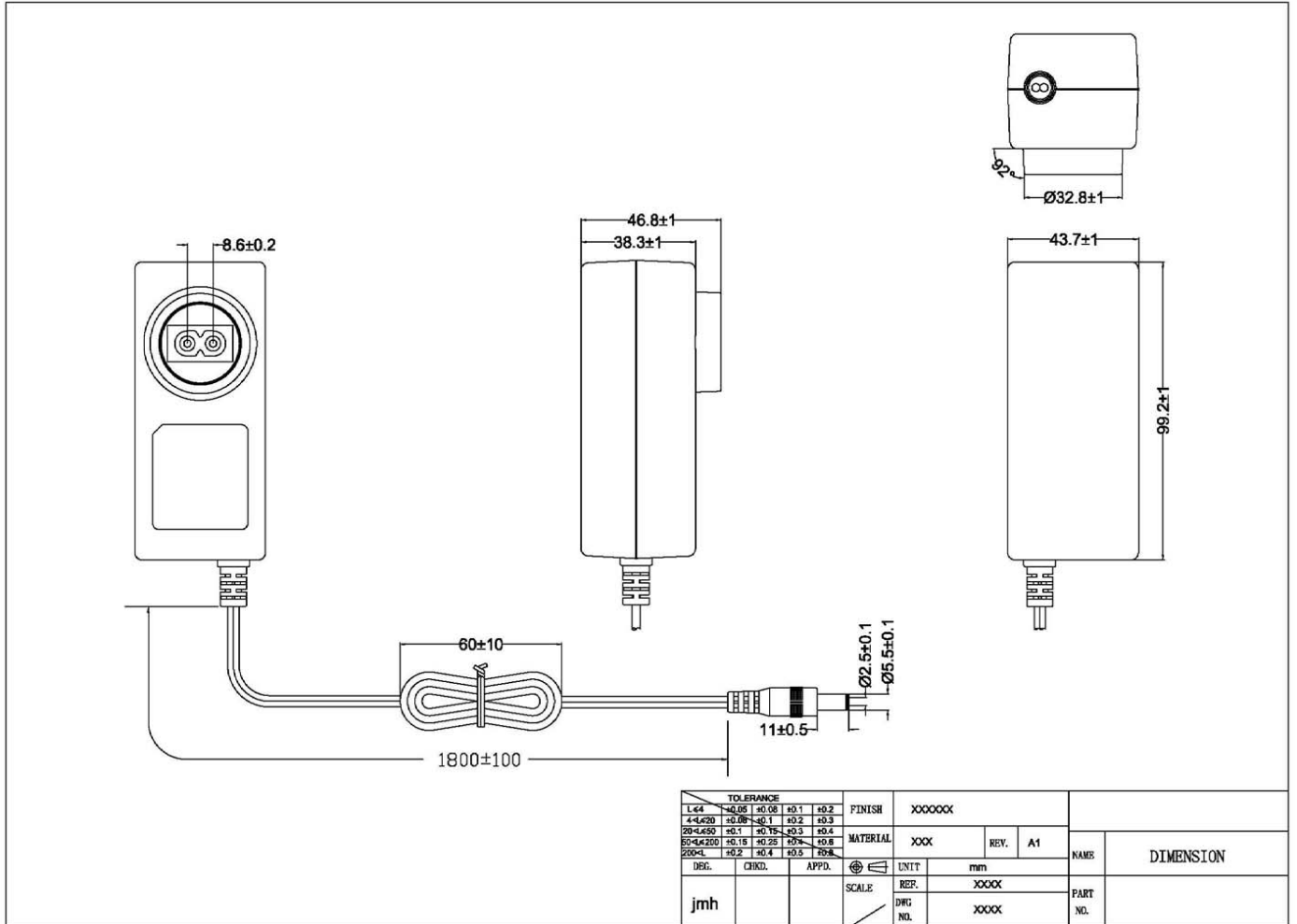
La20515 / La20606 Mechanical Drawing



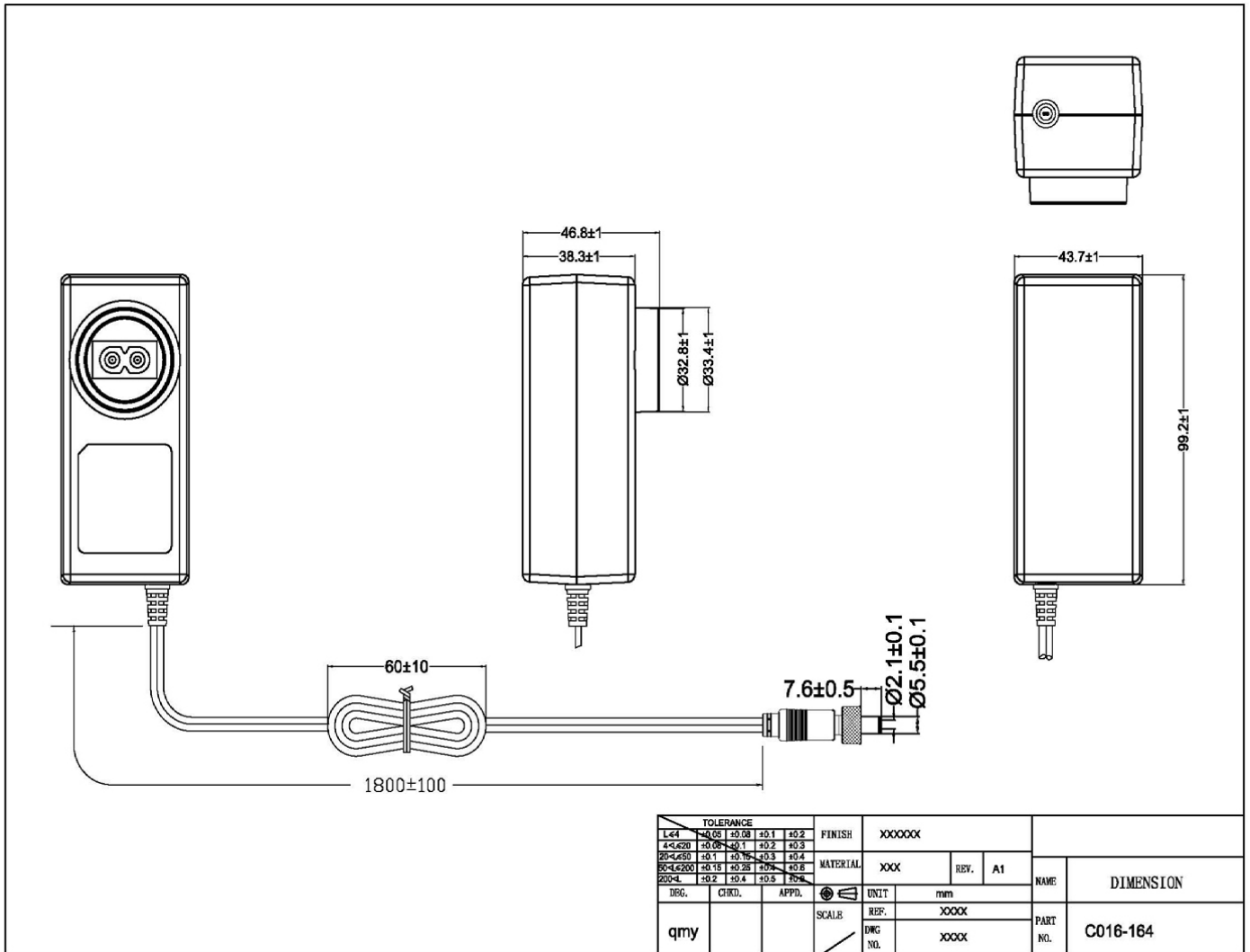
La20901 Mechanical Drawing



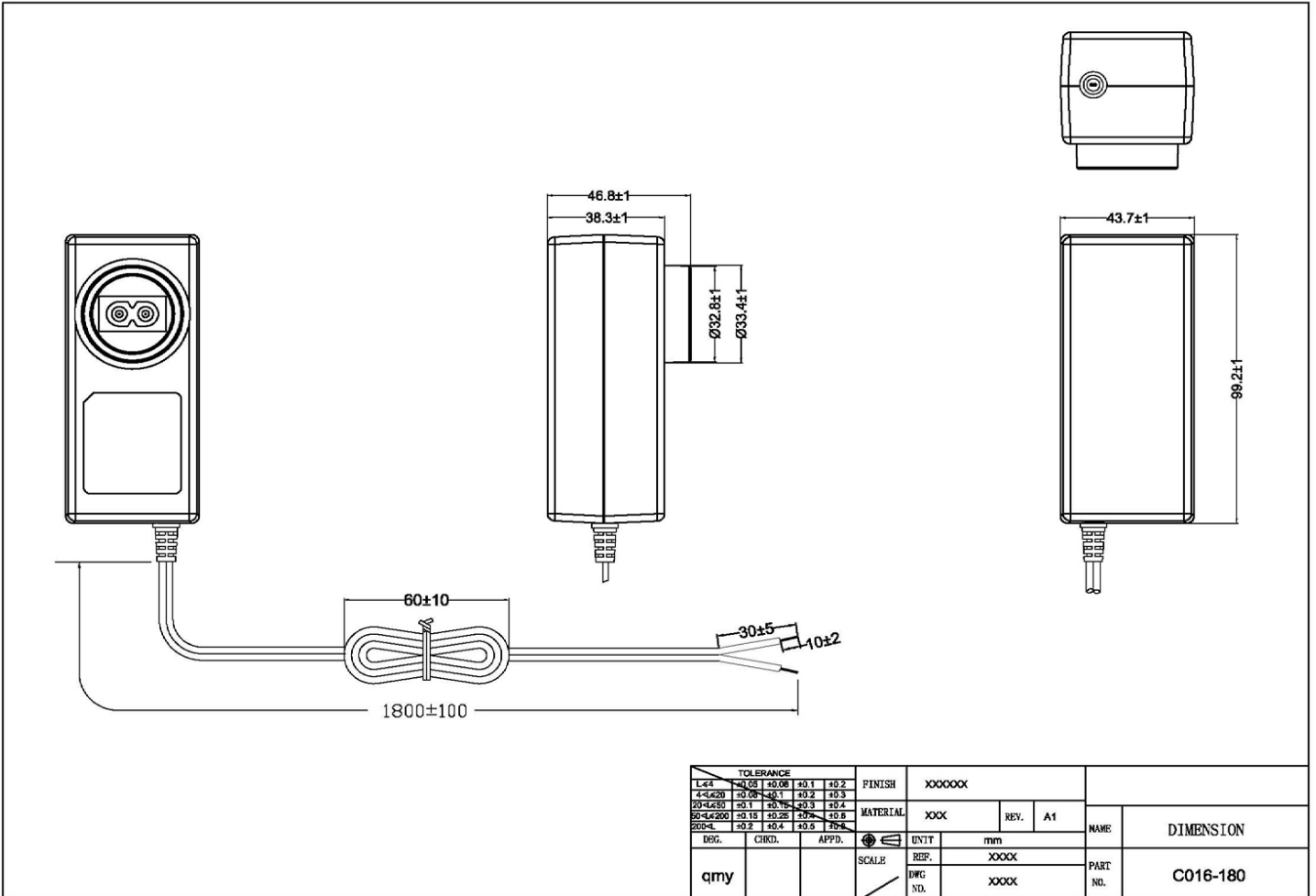
La21224 Mechanical Drawing



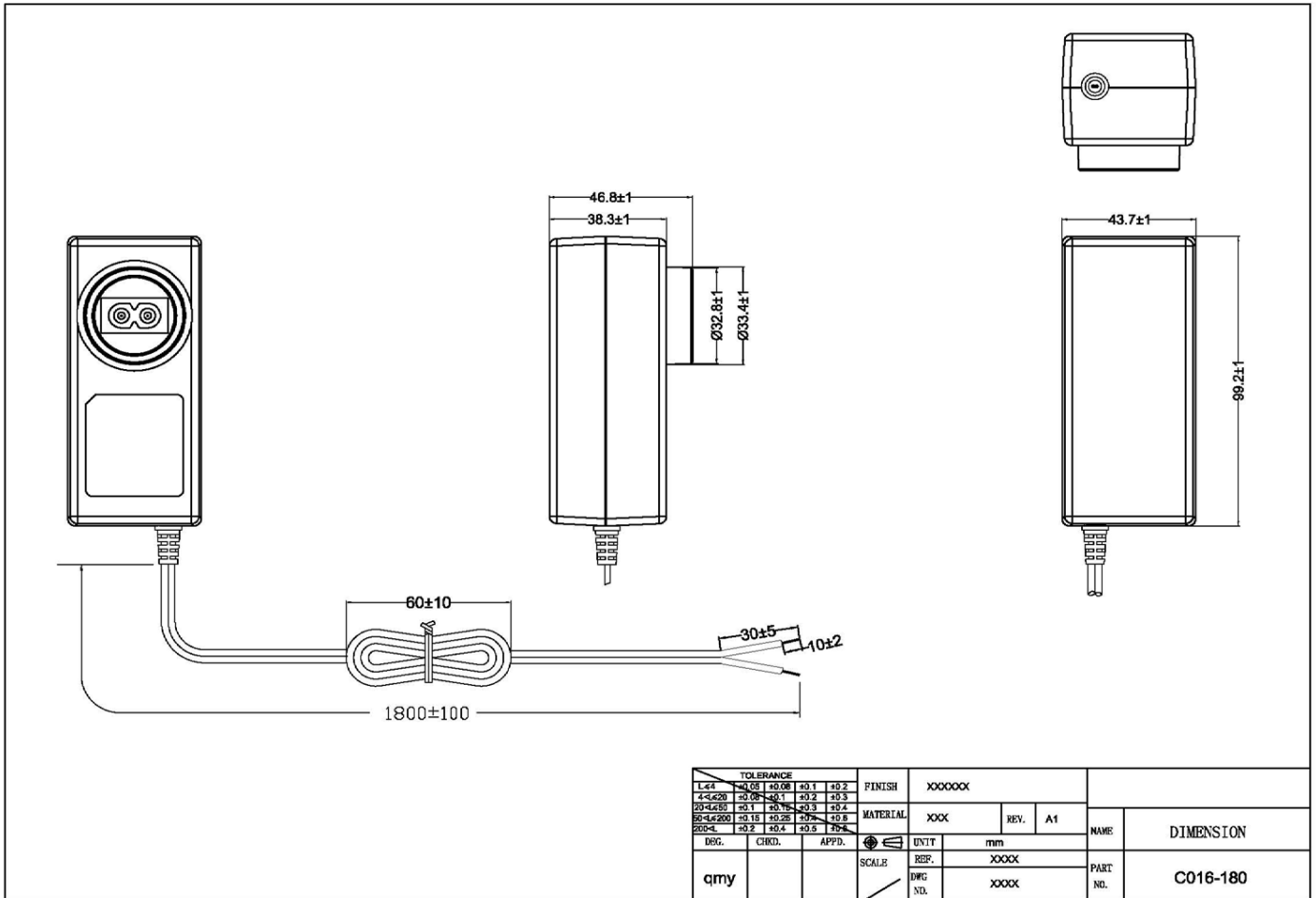
La21224L Mechanical Drawing



La21224N Mechanical Drawing



La22424N Mechanical Drawing



Common Electrical Plugs for all Power Supplies

EU

BS

SAA

USA

TOLERANCE				FINISH		XXXXXXXX			
1-4	+0.05	+0.08	+0.1	+0.2					
4-4.950	+0.07	+0.1	+0.2	+0.3					
20-4.950	+0.1	+0.15	+0.3	+0.4	MATERIAL		XXXX		
30-4.950	+0.15	+0.25	+0.5	+0.6	REV.		A1		
200+L	+0.2	+0.4	+0.5	+0.6	NAME:		DIMENSION		
DES.	CHKD.	APPD.	UNIT	mm	PART NO.				
jmh			SCALE	REF.	XXXX				
			DWG NO.	XXXX					

Questions?

Please contact your Lumenera Account Manager or Isabel Martins, Sales Coordinator at isabel.martins@lumenera.com / 613-736-4077 x187 for more information. For Technical Support please contact us at support@lumenera.com.