

Product Modification Notice

#17-CORP-02

Date: February 1, 2017
To: Lumenera Customers
From: Lumenera Corporation, Product Management
Re: **12 Volt Universal Non-Locking Power Supply Change**

Due to a change in supplier availability, Lumenera will be updating the 12V non-locking power supply. As a result of the change to the power supply, Lumenera will also be modifying the camera power connector.

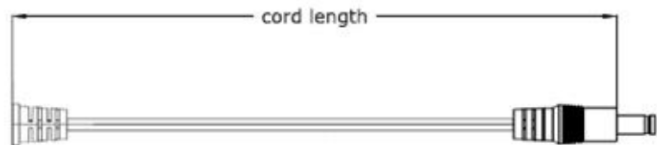
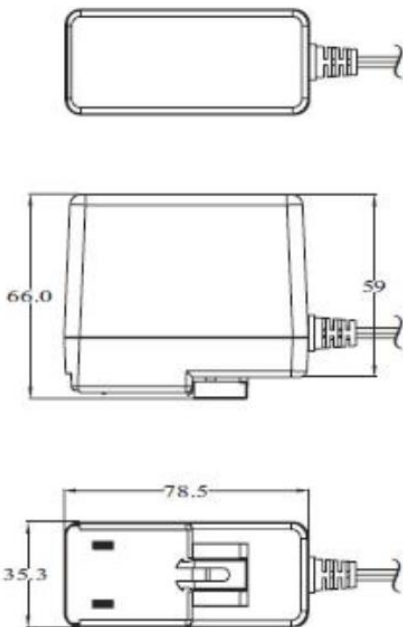
Affected Models

The follow camera models will be affected by this power supply change:

- Lw1105x (all variants)
- Lw1605x (all variants)

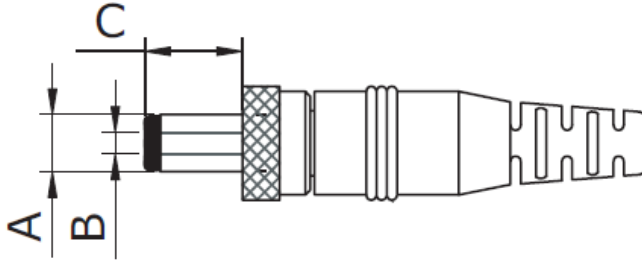
Please note that this modification only affects cameras that are powered through the input located on the rear of the camera and does not affect cameras that are powered via GPIO/Hirose connectors.

Power Supply



MODEL NO.	CABLE	CORD LENGTH
SMI36-12	UL2469, 16 AWG	1,500 mm \pm 30

Power Supply Connector



Size	A	B	C	Unit
10	5.5	2.1	9.5	mm

Manufacturer	MPN	A	B	C	Unit
Switchcraft (old)	S760K	5.5	2.1	<9.5	mm
Switchcraft (old)	S761K	5.5	2.1	<12.0	mm
CUI (new)	-P10	5.5	2.1	9.5	mm

Power supplies can be ordered as an optional line item where required using the following ordering information:

Current Part #	New Part #	Description	MSRP (USD)
La21224	La120315	Transformer, 12VDC, 36W, 3A, international	\$30.00

Questions?

Please contact your Lumenera Representative by phone at +1 613-736-4077.

