

# Product Modification Notice

## #17-CORP-01

Date: February 1, 2017  
To: Lumenera Customers  
From: Lumenera Corporation, Product Management  
Re: **12 Volt Universal Locking Power Supply Change**

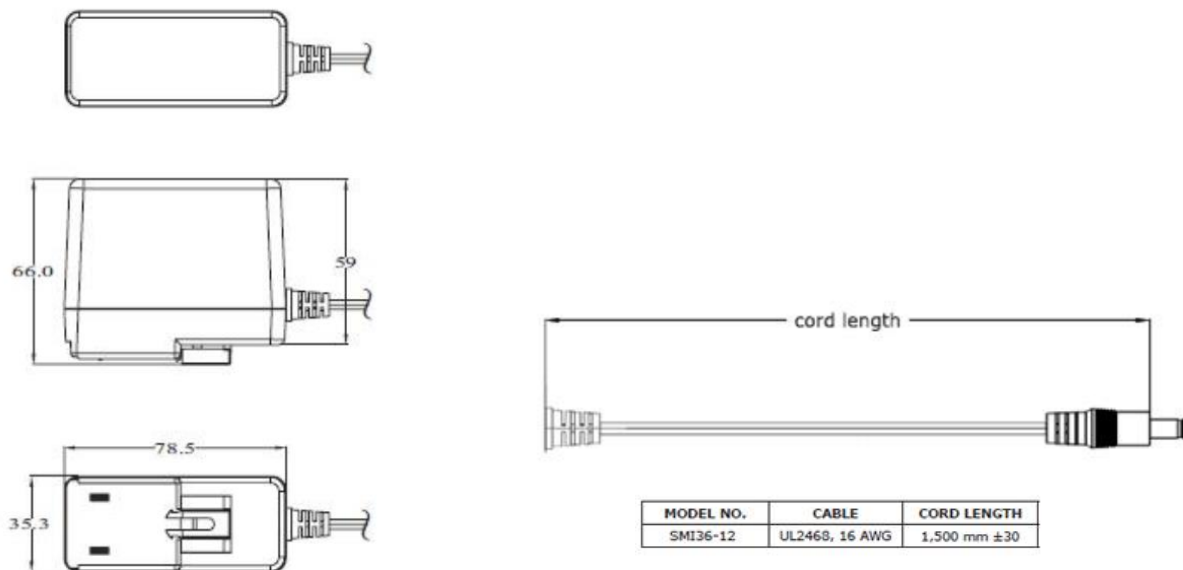
Due to a change in supplier availability, Lumenera will be updating the 12V locking power supply. As a result of the change to the power supply, Lumenera will also be modifying the camera power connector.

### Affected Models

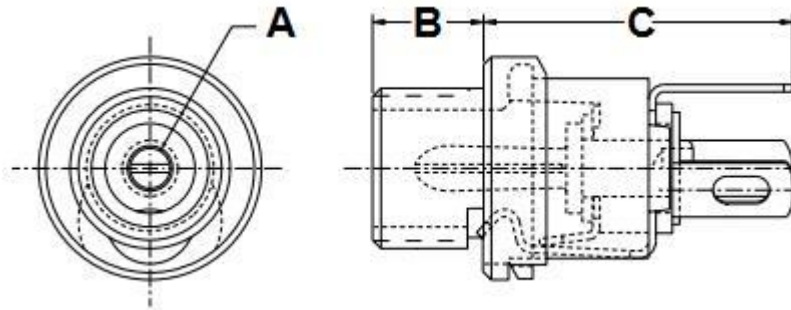
The follow camera models will be affected by this power supply change:

- Lm11059 (all variants)
- Lg11059 (all variants)
- Lg235 (all variants)
- Lg565 (all variants)
- Lt16059H (all variants)
- Lt29059 (all variants)

Please note that this modification only affects cameras that are powered through the input located on the rear of the camera and does not affect cameras that are powered via GPIO/Hirose connectors.

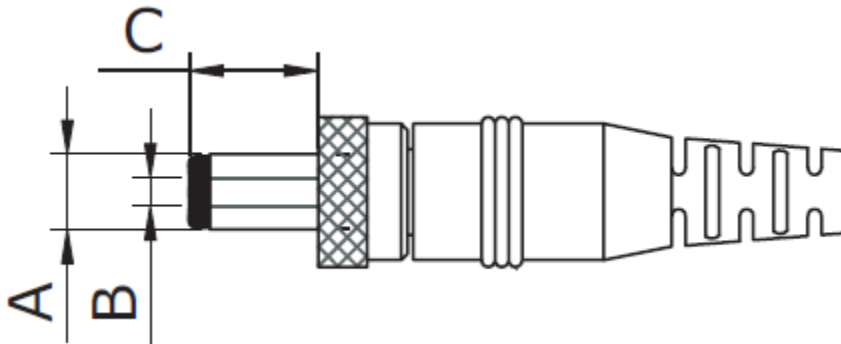


### Camera Connector



Manufacturer	MPN	A	B	C	Insertion Depth	Unit	Mate
Switchcraft (old)	722A	1.93 [2.24 - Flaired]	5.49	15.24	Not Provided	mm	S760K
Switchcraft (old)	L722A	1.93 [2.24 - Flaired]	7.62	15.24	Not Provided	mm	S761K
CUI (new)	PJ-0065A	2.00	8.00	15.20	10.7	mm	-P10

### Power Supply Connector



Size	A	B	C	Unit
10	5.5	2.1	9.5	mm

Manufacturer	MPN	A	B	C	Unit
Switchcraft (old)	S760K	5.5	2.1	<9.5	mm
Switchcraft (old)	S761K	5.5	2.1	<12.0	mm
CUI (new)	-P10	5.5	2.1	9.5	mm

## Compatibility Matrix

Camera Connector	Power Supply/Connector	Will Power Camera	Will Lock
Existing Connector	La21224L (old)	Yes	Yes
Existing Connector	La120315 (new)	Yes	No
New Connector	La21224L (old)	Yes	Yes
New Connector	La120315 (new)	Yes	Yes

Power supplies can be ordered as an optional line item where required using the following ordering information:

Current Part #	New Part #	Description	MSRP (USD)
La21224L	La120315	Transformer, 12VDC, 36W, 3A, international	\$30.00

### Questions?

Please contact your Lumenera Representative by phone at +1 613-736-4077.

