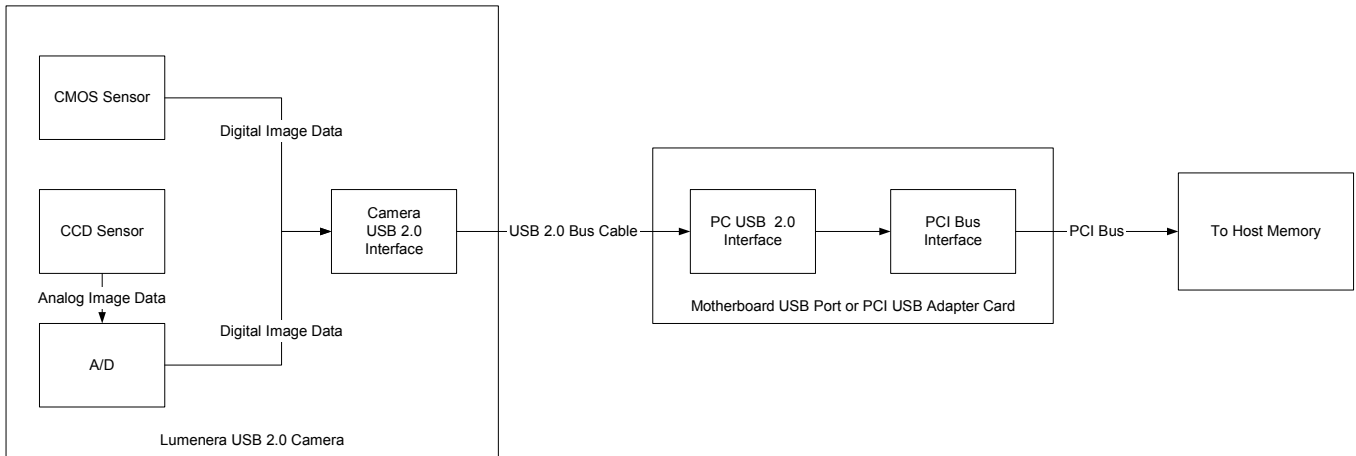


## Camera Architecture App Note

This application note describes the camera architecture.



**Disclaimer**

Lumenera Corporation reserves the right to make corrections, modifications, enhancements, improvements, and other changes to its products and services at any time and to discontinue any product or service without notice. Customers should obtain the latest relevant information before placing orders and should verify that such information is current and complete. All products are sold subject to Lumenera Corporation's terms and conditions of sale supplied at the time of order acknowledgment.

Lumenera Corporation warrants performance of its hardware products to the specifications applicable at the time of sale in accordance with Lumenera Corporation's standard warranty. Testing and other quality control techniques are used to the extent Lumenera Corporation deems necessary to support this warranty. Except where mandated by government requirements, testing of all parameters of each product is not necessarily performed.

Lumenera Corporation assumes no liability for applications assistance or customer product design. Customers are responsible for their products and applications using Lumenera Corporation components. To minimize the risks associated with customer products and applications, customers should provide adequate design and operating safeguards.

Lumenera Corporation does not warrant or represent that any license, either express or implied, is granted under any Lumenera Corporation patent right, copyright, mask work right, or other Lumenera Corporation intellectual property right relating to any combination, machine, or process in which Lumenera Corporation products or services are used. Information published by Lumenera Corporation regarding third-party products or services does not constitute a license from Lumenera Corporation to use such products or services or a warranty or endorsement thereof. Use of such information may require a license from a third party under the patents or other intellectual property of the third party, or a license from Lumenera Corporation under the patents or other intellectual property of Lumenera Corporation.

Reproduction of information in Lumenera Corporation data books or data sheets is permissible only if reproduction is without alteration and is accompanied by all associated warranties, conditions, limitations, and notices. Reproduction of this information with alteration is an unfair and deceptive business practice. Lumenera Corporation is not responsible or liable for such altered documentation.

Resale of Lumenera Corporation products or services with statements different from or beyond the parameters stated by Lumenera Corporation for that product or service voids all express and any implied warranties for the associated Lumenera Corporation product or service and is an unfair and deceptive business practice. Lumenera Corporation is not responsible or liable for any such statements.