



Outline

See the difference megapixel resolution makes!

Lumenera's Le175 series of megapixel cameras are designed for general and high-end security applications.

Lumenera has simplified IP camera installation with a straightforward plug-and-play process. Intuitive user interface viewed with most web browsers provides standard camera control. Power over Ethernet (PoE) simplifies installation and reduces cabling and installation costs.

Capturing full 1280x1024 resolution at 30 fps, these cameras deliver outstanding picture quality and performance. Adjustable JPEG compressed still-images or live MJPEG streaming video, are provided across a standard 10/100BaseT network interface. Transfer of images via email, FTP, RTP or HTTP.

The I/O connector provides an interface to an external alarm sensor or control of peripheral equipment such as IR lighting and PTZ. E-mail or UDP alarm notification provides the date, time, and camera IP address. On-board memory buffers supply still images via FTP that precede and follow alarm events.

Programmable day/night settings automatically switch to enhanced low-light mode. Optional – True day/night module provides automatic sliding IR cut filter. When integrated with NIR illuminators, provides outstanding nighttime performance. DC iris lenses are supported using the industry standard four conductor socket.

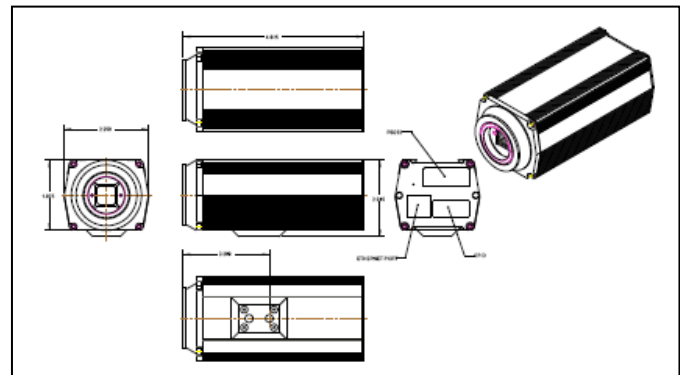
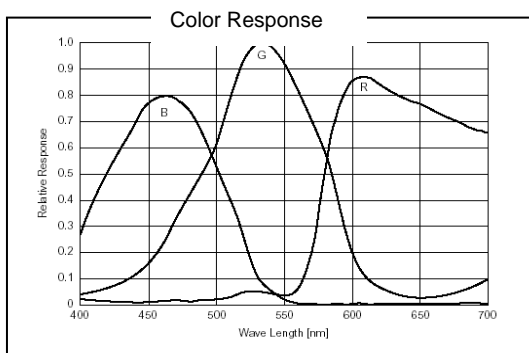
The user defined motion detection parameters across multiple zones provide more accurate triggering of alarms, while programmable privacy zones ensure compatibility with all regulations.

The Le175's compact, all-metal body can be mounted stand-alone or by means of standard environmental enclosures. Call with your enclosure requirements today.

Product Features

- Easy installation and set-up
- Power over Ethernet (PoE)
- 960 lines of resolution, color or monochrome, progressive scan, 1.3 megapixel sensor
- 30 fps at full 1280x1024 (SXGA) resolution
90 fps at 640x480 (VGA) resolution
- Feature rich camera functions:
 - Auto white balance
 - Auto exposure
 - DC auto iris
 - Configurable compression ratio
 - Multiple motion detection zones
- I/O control of alarms, PTZ, lighting or other peripherals
- Optional true day/night functionality
- Image transfer via HTTP, FTP or RTP
- Camera control via HTTP, XML-RPC, Telnet or Microsoft COM
- Security / password protection
- FCC Class B, CE Certified
- CS lens mount provided standard, C-mount adapter available
- Compatible with most Operating Systems (Windows Vista, Windows XP, as well as Linux and Mac)
- Full 1 year warranty

Image Sensor	1/2" format, CMOS, color or mono, 7.7mm x 6.1mm array
Effective Pixels	1280 x 1024, 5.2µm square pixels
Frame Rate	Captures 30 fps at 1280x1024, 90 fps at 640x480
Dynamic Range	55dB
Sensitivity	0.5 lux at F 1.0
Auto Exposure	Automatic / Manual
White Balance	Automatic / Manual
Dimensions (W x H x D)	1.9" x 2.25" x 5.0" (not including lens)
Mass	<300g
Power Requirement	1EEE 802.3af Power over Ethernet (Power mode A) or external 12VDC
Power Consumption	<4 Watts
Operating Temperature	-10° C to +50° C (environmental enclosure will provide extended temperatures with fan / heater)
Operating Humidity	5%-95%, Non-condensing
Interface Connector	RJ45 twisted pair cable, 10/100baseT Ethernet, PoE
Lens Mount	Adjustable CS-Mount (lens not included)
Image Buffer	64 MB (~350 full resolution JPEG images)



Recommended PC Specifications

O/S: Windows XP (SP 2) or Vista
CPU: 2.8GHz or above Pentium computer (required for full frame rate preview)
600Mhz or above Pentium compatible computer (for basic functionality)
Network: 100 Mbps Ethernet LAN, PoE
Browser: Internet Explorer v7.0

Ordering Information

Le175CP	- 1.3 Megapixel PoE Color Camera
Le175MP	- 1.3 Megapixel PoE Monochrome Camera
Le175CP-DN	- 1.3 Megapixel PoE Color Camera with optional Day/Night module
Lu8501	- Power Supply w International Plugs, 12VDC/2A Output