



## Outline

### *See the difference megapixel resolution makes!*

Lumenera's Le175 series of megapixel cameras are designed for general and high-end security applications.

Lumenera has simplified IP camera installation with a straightforward plug-and-play process. Intuitive user interface viewed with most web browsers provides standard camera control.

Capturing full 1280x1024 resolution at 30 fps, these cameras deliver outstanding picture quality and performance. Adjustable JPEG compressed still-images or live MJPEG streaming video, are provided across a standard 10/100BaseT network interface. Transfer of images via email, FTP, RTP or HTTP.

The I/O connector provides an interface to an external alarm sensor or control of peripheral equipment such as IR lighting and PTZ. E-mail or UDP alarm notification provides the date, time, and camera IP address. On-board memory buffers supply still images via FTP that precede and follow alarm events.

Programmable day/night settings automatically switch to enhanced low-light mode. Optional – True day/night module provides automatic sliding IR cut filter. When integrated with NIR illuminators, provides outstanding nighttime performance. DC iris lenses are supported using the industry standard four conductor socket.

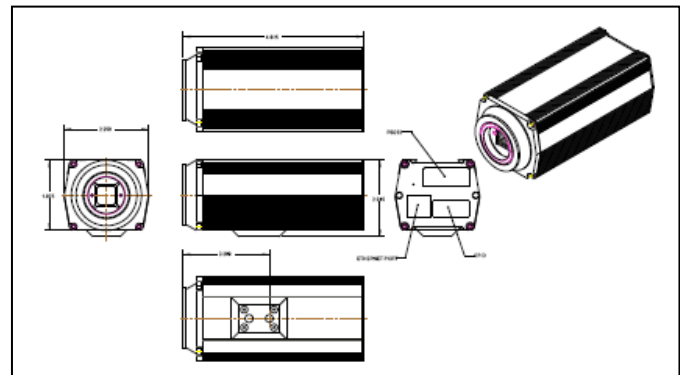
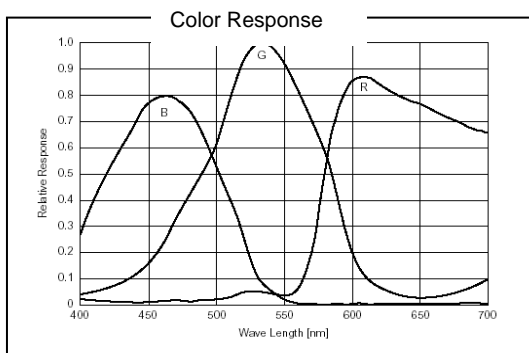
The user defined motion detection parameters across multiple zones provide more accurate triggering of alarms, while programmable privacy zones ensure compatibility with all regulations.

The Le175's compact, all-metal body can be mounted stand-alone or by means of standard environmental enclosures. Call with your enclosure requirements today.

## Product Features

- Easy installation and set-up
- 960 lines of resolution, color or monochrome, progressive scan, 1.3 megapixel sensor
- 30 fps at full 1280x1024 (SXGA) resolution  
90 fps at 640x480 (VGA) resolution
- Feature rich camera functions:
  - Auto white balance
  - Auto exposure
  - DC auto iris
  - Configurable compression ratio
  - Multiple motion detection zones
- I/O control of alarms, PTZ, lighting or other peripherals
- Optional true day/night functionality
- Image transfer via HTTP, FTP or RTP
- Camera control via HTTP, XML-RPC, Telnet or Microsoft COM
- Security / password protection
- FCC Class B, CE Certified
- CS lens mount provided standard, C-mount adapter available
- Compatible with most Operating Systems (Windows™ 98 SE, Windows ME, Windows 2K, Windows NT and Windows XP, as well as Linux and Mac)
- Full 1 year warranty

Image Sensor	<b>1/2" format, CMOS, color or mono, 7.7mm x 6.1mm array</b>
Effective Pixels	<b>1280 x 1024, 5.2µm square pixels</b>
Frame Rate	<b>Captures 30 fps at 1280x1024, 90 fps at 640x480</b>
Dynamic Range	<b>55dB</b>
Sensitivity	<b>0.5 lux at F 1.0</b>
Auto Exposure	<b>Automatic / Manual</b>
White Balance	<b>Automatic / Manual</b>
Dimensions (W x H x D)	<b>1.9" x 2.25" x 5.0" (not including lens)</b>
Mass	<b>&lt;300g</b>
Power Requirement	<b>9-24V AC or DC</b>
Power Consumption	<b>&lt;4 Watts</b>
Operating Temperature	<b>-10° C to +50° C (environmental enclosure will provide extended temperatures with fan / heater)</b>
Operating Humidity	<b>5%-95%, Non-condensing</b>
Interface Connector	<b>RJ45 twisted pair cable, 10/100baseT Ethernet</b>
Lens Mount	<b>Adjustable CS-Mount (lens not included)</b>
Image Buffer	<b>64 MB (~350 full resolution JPEG images)</b>



### Recommended PC Specifications

O/S: Windows XP (SP 2)  
 CPU: 2.8GHz or above Pentium computer (required for full frame rate preview)  
 600Mhz or above Pentium compatible computer (for basic functionality)  
 Network: 100 Mbps Ethernet LAN  
 Browser: Internet Explorer v7.0

### Ordering Information

- Le175C – 1.3 Megapixel Color Camera
- Le175M – 1.3 Megapixel Monochrome Camera
- Le175C-DN – 1.3 Megapixel Color Camera with optional Day/Night module
- Lu8401 - Power Supply w International Plugs, 24VDC/1A Output
- PoE -Contact Lumenera for availability