



## Outline

### *See the difference with true day/night!*

Lumenera's Le075 series of network cameras are designed for general security applications, providing high quality, progressive scan images.

Lumenera has simplified IP camera installation with a straightforward plug-and-play process. Intuitive user interface viewed with most web browsers provides standard camera control.

Capturing full 640x480 resolution at 70 frames/sec, these cameras deliver outstanding picture quality and performance. Adjustable JPEG compressed still-images or live MJPEG streaming video, are provided across a standard 10/100BaseT network interface. Transfer of images via FTP, RTP or HTTP.

The I/O connector provides an interface to an external alarm sensor or control of peripheral equipment such as IR lighting and PTZ. E-mail or UDP alarm notification provides the date, time, and camera IP address. On-board memory buffers supply still images via FTP that precede and follow alarm events.

Programmable day/night settings automatically switch to enhanced low-light mode. Optional – True day/night module provides automatic sliding IR cut filter. When integrated with NIR illuminators, provides outstanding nighttime performance. DC iris lenses are supported using the industry-standard four conductor socket.

The user defined motion detection parameters across multiple zones provide more accurate triggering of alarms, while programmable privacy zones ensure compatibility with all regulations.

The Le075's compact, all-metal body can be mounted stand-alone or by means of standard environmental enclosures. Call with your enclosure requirements today.

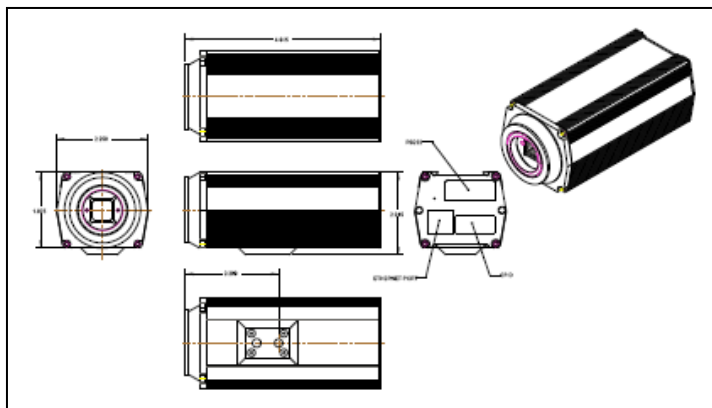
## Product Features

- ❑ Easy installation and set-up
- ❑ 480 lines of resolution, color or monochrome, progressive scan, 640x480 pixel sensor
- ❑ Up to 70 fps at full 640x480 (VGA) resolution
- ❑ Feature rich camera functions:
  - Auto white balance
  - Auto exposure
  - DC auto iris
  - Configurable compression ratio
  - Multiple motion detection zones
- ❑ I/O control of alarms, PTZ, lighting or other peripherals
- ❑ Optional true day/night functionality
- ❑ Image transfer via HTTP, FTP or RTP
- ❑ Camera control via HTTP, XML-RPC, Telnet or Microsoft COM
- ❑ Security / password protection
- ❑ FCC Class B, CE Certified
- ❑ CS lens mount provided standard, C-mount adapter available
- ❑ Compatible with most Operating Systems (Windows™ 98 SE, Windows Me, Windows 2K, Windows NT and Windows XP, as well as Linux and Mac)
- ❑ Full one (1) year warranty

# Specifications

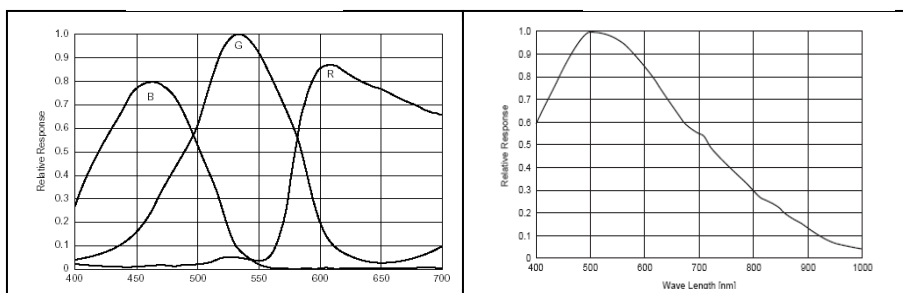
# Le075

Image Sensor	<b>1/3" format, CCD, color or mono, 5.79mm x 4.89mm array</b>
Effective Pixels	<b>640x480, 7.4µm square pixels</b>
Frame Rate	<b>Captures 70 fps at 640x480, 100+ fps at 320x240 (binned)</b>
Dynamic Range	<b>60dB</b>
Sensitivity	<b>0.1 lux at F 1.0</b>
Auto Exposure	<b>Automatic / Manual</b>
White Balance	<b>Automatic / Manual</b>
Dimensions (W x H x D)	<b>1.9" x 2.25" x 5.5" (not including lens)</b>
Mass	<b>~300g</b>
Power Requirement	<b>9-24V AC or DC</b>
Power Consumption	<b>&lt;4 Watts</b>
Operating Temperature	<b>-10° C to +50° C (environmental enclosure will provide extended temperatures with fan / heater)</b>
Operating Humidity	<b>5%-95%, Non-condensing</b>
Interface Connector	<b>RJ45 Cat 5e twisted pair cable, 10/100baseT Ethernet</b>
Lens Mount	<b>Adjustable CS-Mount (lens not included)</b>
Image Buffer	<b>64 MB upgradeable to 128 MB (thousands of full resolution JPEG images)</b>



Color Response

Monochrome Response



## Recommended PC Specifications

O/S: Windows XP (SP 2)  
CPU: 2.8GHz or above Pentium computer (required for full frame rate preview)  
600Mhz or above Pentium compatible computer (for basic functionality)  
Network: 100 Mbps Ethernet LAN  
Browser: Internet Explorer v7.0

## Ordering Information

Le075C	- VGA Color Camera
Le075M	- VGA Monochrome Camera
Le075C-DN	- VGA Color Camera with optional Day/Night module
Le075C-MM	- Extended 128 MB Memory Option
Le075M-MM	- Extended 128 MB Memory Option
Le075C-DN-MM	- Extended 128 MB Memory Option
Lu8401	- Power Supply w International Plugs, 24VDC/1A Output
PoE	- Contact Lumenera for availability

Lumenera Corporation • 7 Capella Court, Ottawa, ON Canada K2E 8A7 • (t) 1.613.736.4077 • (f) 1.613.736.4071 • [www.lumenera.com](http://www.lumenera.com)