

**Highlights:**

- 10.7 Megapixel Ethernet Camera
- 35mm Sensor Format
- Excellent Sensitivity
- High Dynamic Range
- Global Electronic Shutter

## Outline

The Le11059's combination of megapixel resolution, excellent sensitivity, and high dynamic range makes it an ideal solution for applications with large fields of view, poor lighting conditions, and high contrast scenes such as traffic and blob analysis.

Capturing full 4000x2656 resolution at 3 fps, these cameras deliver outstanding picture quality and performance. Configurable compression for JPEG still-images or MJPEG live capturing video is provided across a standard 10/100BaseT network interface.

Lumenera has simplified IP camera installation with a straightforward plug-and-play process. Intuitive user interface viewed with most browsers provides standard camera control. The I/O connector provides an interface to an external alarm sensor or control of peripheral equipment such as; IR lighting, DC iris and PTZ. Alarm notification provides the date, time and camera IP address.

The user defined motion detection parameters across multiple zones provide more accurate triggering of alarms, while programmable privacy zones ensure compatibility with all regulations.

On-board memory buffers supply still images that precede and follow alarm events. Transfer of images via email, FTP, RTP or HTTP.

Contact us with your camera requirements today.

## Product Features

- Incredible** image detail
- Remote focus control over IP
- Auto iris, or remote iris control over IP
- Easy installation and set-up
- 2600+ lines of resolution, color or monochrome, progressive scan, 10.7 megapixel, CCD sensor
- 3 fps at full 4000 x 2656 resolution  
8.5 fps at 4000 x 640 resolution
- Global electronic shutter
- Feature rich camera functions:
  - Auto white balance & auto exposure
  - Day/Night software setting
  - Configurable compression ratio
- I/O control of alarms, strobe, PTZ, lighting or other peripherals
- Image transfer via HTTP, FTP, RTP, or Email
- Camera control via HTTP, XML-RPC, Telnet or Microsoft COM
- Security / password protection
- FCC Class B, CE Certified
- SLR Canon Bayonet EF-mount standard (call for other mount options)
- Compatible with most operating systems (Windows Vista and XP, Linux and Mac)
- Full one (1) year warranty

# Specifications

# Le11059

Image Sensor	<b>43.3mm (diagonal), color or mono, equivalent 35mm sensor</b>
Effective Pixels	<b>4000 x 2656, 9.0µm square pixels</b>
Frame Rate	<b>3 fps at 4000 x 2656, 8.5 fps at 4000 x 640</b>
Dynamic Range	<b>&gt;60dB</b>
Sensitivity	<b>0.1 lux at F1.0</b>
Auto Focus	<b>Automatic / Manual (when used with SLR lens)</b>
Auto Iris	<b>Automatic / Manual (when used with SLR lens)</b>
Auto Exposure	<b>Automatic / Manual</b>
White Balance	<b>Automatic / Manual</b>
Dimensions	<b>3.25"(W) x 2.98"(H) x 7.77"(D) not including lens</b>
Mass	<b>~600g</b>
Power	<b>12VDC, ~15 Watts</b>
Operating Temperature	<b>-10° C to +50° C (environmental enclosure will provided extended temperatures with fan / heater)</b>
Operating Humidity	<b>5%-95%, Non-condensing</b>
Interface	<b>RJ45 twisted pair cable, 10/100baseT Ethernet</b>
Lens Mount	<b>SLR Canon Bayonet-Mount - lens not included</b>
Image Buffer	<b>48 MB standard, 128MB optional</b>

## Recommended PC Specifications

O/S: Windows XP (SP 3) or Vista  
CPU: 2.8GHz or above Pentium computer (required for full frame rate preview)

600Mhz or above Pentium compatible computer (for basic functionality)

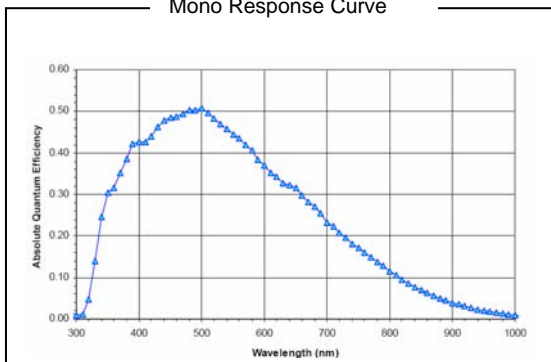
Network: 100 Mbps Ethernet LAN  
Browser: Internet Explorer v8.0

## Recommended Applications

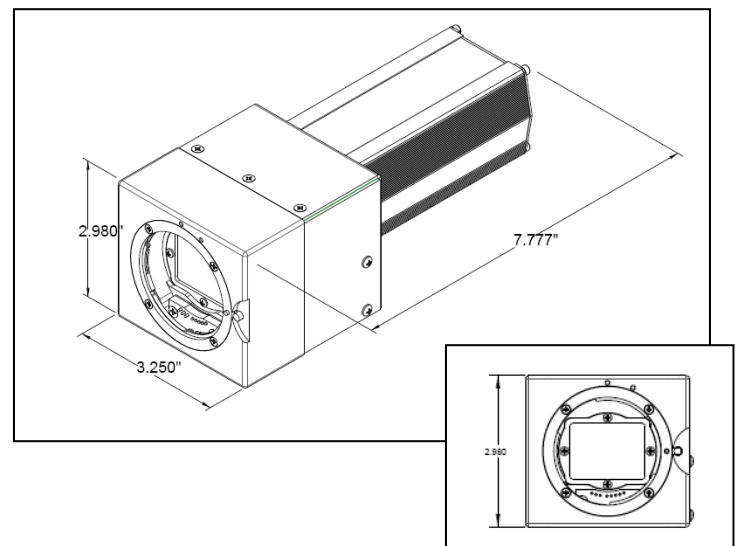
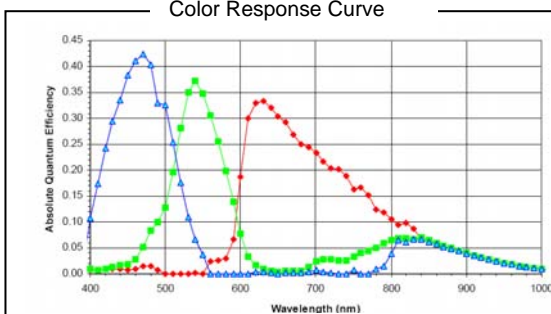
The Le11059 is ideal for, but not limited to the following applications:

- Industrial process monitoring and malfunction detection
- Blob analysis
- Traffic applications including:
  - Red light enforcement
  - License plate reading (ALPR)
  - Driver and automobile recognition
  - Speed enforcement
  - Bridge and tunnel surveillance

Mono Response Curve



Color Response Curve



## Ordering Information

Le11059C	- 11 Megapixel Canon-Mount Color Camera
Le11059M	- 11 Megapixel Canon-Mount Monochrome Camera
Lu8501	- Power supply with international plugs, 12VDC/2A output