

2.0 Megapixel CCD USB 2.0 Camera



High Resolution CCD
Astrophotography Camera

Outline

Lumenera's SKYnyx2-2 2.0 megapixel CCD digital camera is specifically designed for lunar, solar and planetary imaging, featuring high sensitivity, low noise and fast frame rates.

With 1616x1232 resolution and on-board processing, the SKYnyx2-2 delivers outstanding image quality.



Providing exceptional sensitivity with low noise characteristics, the SKYnyx2-2 is the new powerhouse in astrophotography. This USB 2.0 camera is based upon Lumenera's highly acclaimed and successful INFINITY2-2 scientific microscopy camera. Its rugged, high quality anodized aluminum enclosure ensures this camera will serve your imaging needs for years to come. Product highlights include ROI, binning, and a signal to noise ratio of >60dB.

SKYnyx2-2 is supported by an experienced team of technical support and imaging experts. We understand your imaging needs and are here to help you get the most out of your camera.

Performance Features

- The high-speed USB 2.0 interface eliminates a framegrabber and facilitates ease of installation on both laptop and desktop computers
- Excellent sensitivity and low noise characteristics of the SKYnyx2-2 2.0 megapixel CCD image sensor enable users to capture high quality images
- 12 fps at full 1616 x 1232 resolution
- Maximum frame rates exceed 30 fps with binning and ROI
- No compression
- Select 8 & 12-bit pixel data modes
- The RGB data captured through each pixel contains 36-bits of color image information resulting in 4096 intensity values
- Both Custom design services and a Software Developer's Kit (SDK) are available to help with unique design requirements and software integration
- SKYnyx2-2 captures images through our 3rd party software partners
- SKYnyx2-2 cameras are software compatible with Windows™ 98 SE, Windows ME, Windows 2K, Windows XP, and Windows Vista operating systems
- Full one (1) year warranty

Image taken by Damien Peach

Specifications

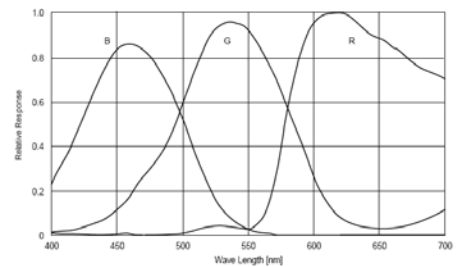
SKYnyx2-2

Camera Sensor

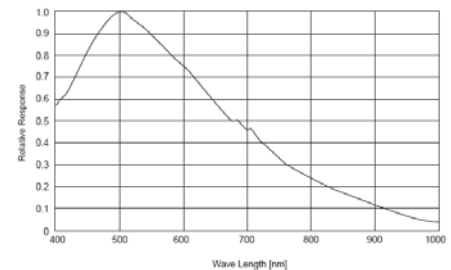
Image Sensor	1/1.8" Interline Sony ICX274 2.0 megapixel color or monochrome progressive scan CCD sensor 7.1mm x 5.4mm
Effective Pixels	1616x1232, 4.4µm square pixels
Frame Rate	12 fps at full resolution, higher fps with binning and ROI
Dynamic Range	>60dB
Digital Output	8 and 12-bit
Read Noise	12 e- rms
Dark Current	<2 e-/s
Binning Options	2x2, 4x4

Camera Controls

Mass	320g
Power Requirement	USB bus power, or external 5VDC - 500mA
Power Consumption	~2.5Watts
Operating Temperature	0° C to +50° C
Operating Humidity	5%-95%, Non-condensing
Integration Time	1/1000 to 16 sec.
Shutter	Global Shutter
ROI	User Selectable
Auto Exposure	Automatic / Manual
White Balance	Automatic / Manual
Gain	Programmable / 1 to 10x optimizable
Interface Connector	Standard USB 2.0 high-speed interface
Dimensions (W x H x D)	2.52 x 3.85 x 1.68 inches
Lens Mount	T-Mount



Color Response Curve



Mono Response Curve

Recommended PC Specs:

- Pentium 4, 1.3GHz or higher
- 512Mb RAM
- 60 MB hard drive free space or more
- USB 2.0 Port
- Windows XP or Vista

Minimum PC Specs:

- 600MHz Processor
- 256Mbytes of SDRAM
- 20 MB hard drive free space
- USB 2.0 Port
- Windows 98 or ME

Product Includes:

- SKYnyx2-2 digital camera for USB 2.0
- CD-ROM with drivers
- USB 2.0 2m cable

Ordering Information

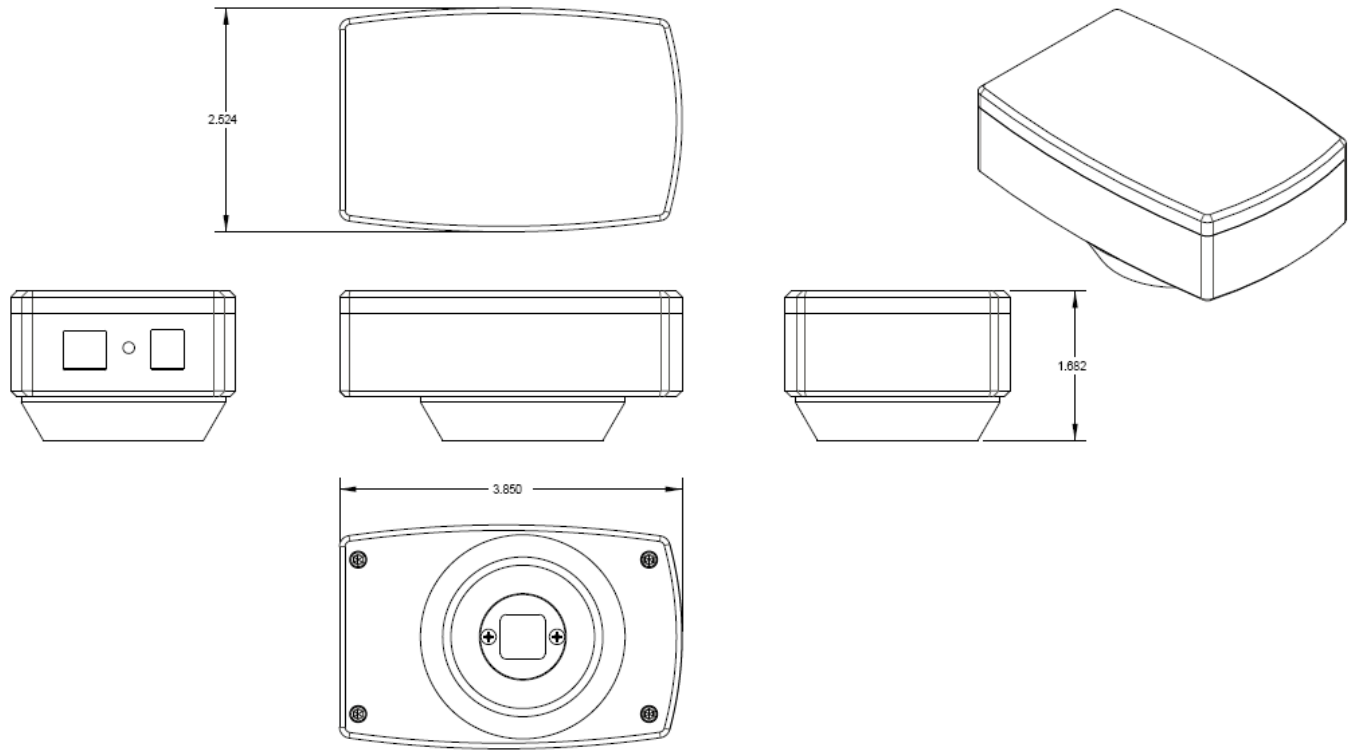
SKYnyx2-2C – Color Camera

SKYnyx2-2M – Monochrome Camera

**Full customization available
to meet your exact needs!**

Specifications

SKYnyx2-2



SKYnyx CAMERA